



INSTALLATION INSTRUCTIONS

D5RH

**DIGI-5 DDS Digital Distribution System
Rack Mount 4 Source, 4 Zone Hub**

Safety Information



CAUTION: TO REDUCE THE RISK OF ELECTRIC SHOCK, DO NOT REMOVE COVER (OR BACK). NO USER SERVICEABLE PARTS INSIDE.
REFER SERVICING TO QUALIFIED SERVICE PERSONNEL.



The lightning flash with arrowhead symbol within an equilateral triangle is intended to alert the user to the presence of uninsulated "dangerous voltage" within the product's enclosure that may be of sufficient magnitude to constitute a risk of electric shock to persons.



The exclamation point within an equilateral triangle is intended to alert the user to the presence of important operating and maintenance (servicing) instruction in the literature accompanying the appliance.

WARNING: TO REDUCE THE RISK OF FIRE OR SHOCK,
DO NOT EXPOSE THIS APPLIANCE TO RAIN OR MOISTURE.

IMPORTANT SAFETY INFORMATION

Read Information — All the safety and operating information should be read before the appliance is operated.

Follow Information — All operating and use information should be followed.

Retain Information — The safety and operating information should be retained for future reference.

Heed Warnings — All warnings on the appliance and in the operating instructions should be heeded.

Wall Mounting — Mounting of this appliance should be done only by an authorized installer.

Ventilation — The appliances should be situated so that their location or position does not interfere with their proper ventilation. These appliances should never be placed near or over a radiator or heat register. These appliances should not be placed in a built-in installation such as a bookcase or cabinet that may impede the flow of air through the ventilation openings.

Non-Use Periods — Appliances that are left unattended and unused for long periods of time should be de-energized.

Grounding or Polarization — Do not defeat the safety purpose of the polarized or grounding-type plug. A polarized plug has two blades with one blade wider than the other blade. A grounding type plug has two blades and a third grounding prong. The polarized wide blade and the third prong are provided for your safety. If the provided plug does not fit your outlet, consult an electrician for replacement of the obsolete outlet.

Power Cord Protection — Protect the power cord from being walked on or pinched particularly at plugs, convenience receptacles and the point where they exit from the apparatus.

Water — Do not use the apparatus near water.

Cleaning — Unplug the apparatus from the power outlet before cleaning. Use only a dry cloth to clean the apparatus.

Power Lines — An outdoor antenna should be located away from power lines. When installing an outside antenna system, extreme care should be taken to avoid touching power lines or circuits, as contact with them may be fatal.

Object and Liquid Entry — Never insert objects of any kind through the openings of these appliances, as they may touch dangerous voltage points or short-out parts that could result in a fire or electric shock. Care should be taken so that objects do not fall and liquids are not spilled into the appliance through openings in the enclosure.

Servicing — Do not attempt to service these appliances yourself, as opening or removing covers may expose you to dangerous voltage or other hazards. Refer all servicing to qualified service personnel.

Damage Requiring Service — These appliances should be serviced by qualified service personnel when:

- A power supply connection or a plug has been damaged or
- If liquid has been spilled into the appliance or objects have fallen into the appliance or
- The appliance has been exposed to water or moisture or
- The appliance does not appear to operate normally or exhibits a marked change in performance or
- The appliance has been dropped or the enclosure damaged.

Replacement Parts — When replacement parts are required, be sure the service technician has used replacement parts specified by the manufacturer or that have the same characteristics as the original part. Unauthorized substitutions may result in fire, electric shock, or other hazards.

Safety Check — Upon completion of any service or repairs to this audio product, ask the service technician to perform safety checks to determine that the audio product is in proper operating condition.

Lightning Storms — Unplug this apparatus during lightning storms or when unused for long periods of time.

Attachments and Accessories — Use only attachments/accessories specified by the manufacturer.

Cart, Stand, Tripod, Bracket or Table — Use only with a cart, stand, tripod, bracket or table specified by the manufacturer, or sold with the apparatus. When a cart is used, use caution when moving the cart/apparatus combination to avoid injury from tip over.

Disconnect Device — Where the mains plug or an appliance coupler is used as the disconnect device, the disconnect device shall remain operable.

NOTE: This equipment has been tested and found to comply with the limits for a Class B digital device, pursuant to part 15 of the FCC Rules. These limits are designed to provide reasonable protection against harmful interference in a residential installation. This equipment generates, uses and can radiate radio frequency energy and, if not in-stalled and used in accordance with the instructions, may cause harmful interference to radio communications. However, there is no guarantee that interference will not occur in a particular installation.

If this equipment does cause harmful interference to radio or television reception, which can be determined by turning the equipment off and on, the user is encouraged to try to correct the interference by one or more of the following measures:

- Reorient or relocate the receiving antenna.
- Increase the separation between the equipment and receiver.
- Connect the equipment into an outlet on a circuit different from that to which the receiver is connected.
- Consult the dealer or an experienced radio/TV technician for help.

CAUTION: Changes or modifications not expressly approved by Xantech could void the user's authority to operate the equipment

Caring For the D5RH

Clean only with a dry soft cloth.

It is important to properly care for your D5RH Digital Audio Distribution Hub. Follow these guidelines to ensure your device is preserved and protected.

- Do not expose the D5RH to rain, liquids or moisture for an extended period of time.
- Do not expose the D5RH to temperature extremes.
- Do not place any objects on top of the D5RH to prevent chassis damage.

Operating Temperatures & Environments

Operating Temperature: 32-104°F (0-40° C)

Humidity: 0-90%

Precautions

- Always exercise care when operating the D5RH Digital Audio Distribution Hub.
- Do not install near any heat sources such as radiators, heat registers, stoves, or other apparatus (including amplifiers) that produce heat.
- In the unlikely event that smoke, abnormal noise, or strange odor is present, immediately power the D5RH off. Please report the problem to your dealer immediately.
- Never attempt to disassemble the D5RH. You will lose any product warranty on the unit.

1. Introduction

Modern Convenience

The D5RH 4 Source, 4 Zone Digital Audio Distribution Hub with DIGI-5 Technology and related products from Xantech provides the ability to listen to 4 different audio sources in up to 28 separate zones of the home, all over CAT-5 wiring for total flexibility and convenience. No need to have multiple audio systems in different areas, just select a source from one of Xantech's premium in-wall keypads, sit back and enjoy!

Crystal Clear Digital Sound

End-to-end digital architecture means that the entire signal path of the audio system remains in the digital domain from start to finish. This means that noise, signal loss and other unwanted effects are never present. Each keypad contains a 30 Watt digital amplifier that allows the user to play music at loud volume when desired. This also means that music at any volume is full and rich, without distortion and with plenty of bass!

Simple, Logical Installation

A D5RH-based system connects using CAT-5 and speaker wire, making them reliable and easy to install. Any digital or analog audio source can be connected directly to the D5RH Digital Audio Distribution Hub. D5KP Amplified Keypads are connected to the D5RH using CAT-5 wiring (inexpensive and reliable), while speakers are connected to the D5KP Amplifier Keypad using traditional speaker wire. This eliminates the need for multiple long runs of speaker wire streamlining the wiring process and slashing wiring costs.

Entertaining Possibilities

The D5RH's Whole House Music and Zone Grouping features make entertaining more fun than ever. Fully customized audio options allow for control of the entire house from one location and also allow for the creation of multiple-zone linking where groups of zones work together in party mode.

Control for Parents

The Source Lock Out feature allows you to disable specific sources in the kid's rooms that you don't want them to access.

About DIGI-5 Technology

DIGI-5 is a revolutionary new technology standard that provides a complete end-to-end digital audio solution over CAT-5 wiring. DIGI-5 is based on advanced digital distribution and amplification circuits that allow multi-room audio systems to be installed quickly and cost effectively.

DIGI-5 is a collaboratively developed technology that is licensed by the Linear Home Technology Group and is being initially integrated on a Linear group-wide basis, targeted to expand market and consumer acceptance of such systems.

Features

- 4 Source, 4 Zone Capacity
- Expandable up to 28 Zones with Optional D5XH Digital Audio Distribution Expansion Hub
- End-to-End Digital Architecture for Crystal Clear Sound with No Signal Loss
- Simple CAT-5 Wiring requirements
- Innovative D5KP Amplified Keypad (not included)
- Provide Custom Control Options
- No PC Software Required For Setup – Simply plug in the D5KP and go
- Optional D5MR – Mini Remote and D5LR – Advance Learning Remote for added control features and remote operation
- Whole House Music – Turns On All Zones to Same Source
- Zone Functions – Do Not Disturb, Source Lock Out, Tone Control, Balance, Loudness, Dynamic Range Compression (DRC)
- Local (In-Room) Source Connectivity with Optional D5IP Source Input Wall Plates
- Paging/DB Functionality w/ Optional Communications Controller
- Compact Single Rack Space Design
- Rack Mountable – Optional Rack Ear Kit Available (RM1UKIT)

D5RH Accessories

- D5XH 6 Zone Expansion Router
- D5KP Amplified Keypad
- D5IP Source Input Wall Plate
- D5MR Slim-line Mini Remote
- D5LR Advance Learning Remote Control
- RM1UKIT 1U Rack Ear Kit
- Xantech Speakers

Defining Terms

Zone

A Zone is defined as an area of the house that has separate source selection capabilities from all other areas of the house. Typically, a zone is comprised of a single room, but it is possible for a zone to spread across multiple rooms (kitchen/dining room, master bedroom/master bath) or for multiple zones to be contained in one room (game room/bar area or multiple zones in the yard).

Source

A Source is any audio (or audio/video) device that is connected to the SOURCE INPUTS of the D5RH. Any Source can be heard in any zone in the system.

Local Source

A Local Source is an audio (or audio/video) device that is connected to a D5IP Source Input Wall Plate. Local Sources are able to be heard only in the zone in which they are installed and may not be heard in other zones of the system.

Front Panel

The front panel of the D5RH is populated simply by a Power LED and a Power Button. **Figure 1.1** and **Table 1.1** provide descriptions and locations of Front Panel controls and indicators.



Figure 1.1: D5RH Front Panel

	Indicator/Button	Function	LED
1	Power LED	Indicates Power ON/OFF Status	Red
2	Power Button	Turns System Power ON/OFF	

Table 1.1: Front Panel

Rear Panel

The Rear Panel of the D5RH has connections for Power, Source Inputs, Zone Outputs, IR Outputs, Page/Doorbell Trigger Input, Auxiliary Power, USB and Expansion capabilities as well as Digital/Analog Source Selection, Source Input Gain and Zone Pairing DIP Switches.

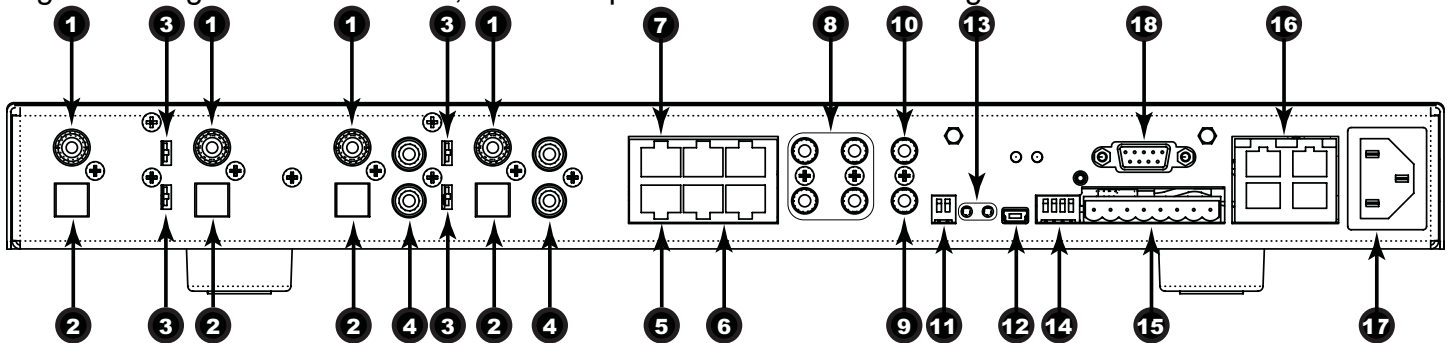


Figure 1.2: D5RH Rear Panel

	Connector	Function
1	Digital Coaxial Audio Input	Connect digital audio sources using Digital Coaxial cable
2	Digital Optical Audio Input	Connect digital audio sources using Digital Optical cable
3	Coaxial/Optical/RCA Selection Switch	Select between Digital Coaxial, Digital Optical or RCA connection
4	Analog Audio Input	Connect analog audio sources using RCA cables
5	Expansion Port	Control/Status Link to D5XH Digital Audio Hub
6	Source Loop Outputs	Audio Links to D5XH
7	D5-NET Port	For future 2-way data sources & communication
8	IR OUT Ports	Source-specific IR ports to control audio sources
9	ALL IR OUT Port	Non-source-specific IR port
10	Page/Doorbell Trigger Input	Interface with Page/Doorbell system
11	Analog Source Input Gain Switches	Adjust Input GAIN from digital sources to avoid distortion
12	USB Port	For firmware updates
13	Clip Indicators	Displays clipping from sources
14	Zone Pairing Switches	Links multiple zones
15	Auxiliary Power Output Port	Provides additional power to D5KP Amplifier Keypads
16	Zone Output Ports	Connect to D5KP Amplifier Keypads located in each zone
17	AC Power Connector	Plug into 110VAC wall outlet (Export 240VAC models also available)
18	RS232 Port	RS232 Communication Port.

Table 1.2: Rear Panel

2. System Design Overview/Applications

Planning

Before installing the D5RH, it is essential to have a detailed and accurate system design. The first step to a good design is to map the system. It is advisable to mark up a copy of the house floor plan with speaker, keypad and equipment locations, etc. Make sure that all locations are decided upon before pre-wiring so that all necessary wiring and installation hardware is in place.

It is essential that ALL system components are accounted for prior to the pre-wire stage. After establishing design goals, make a detailed list of all components. Include source equipment, keypad, expansion hubs, local source wall plates, IR emitters, etc.

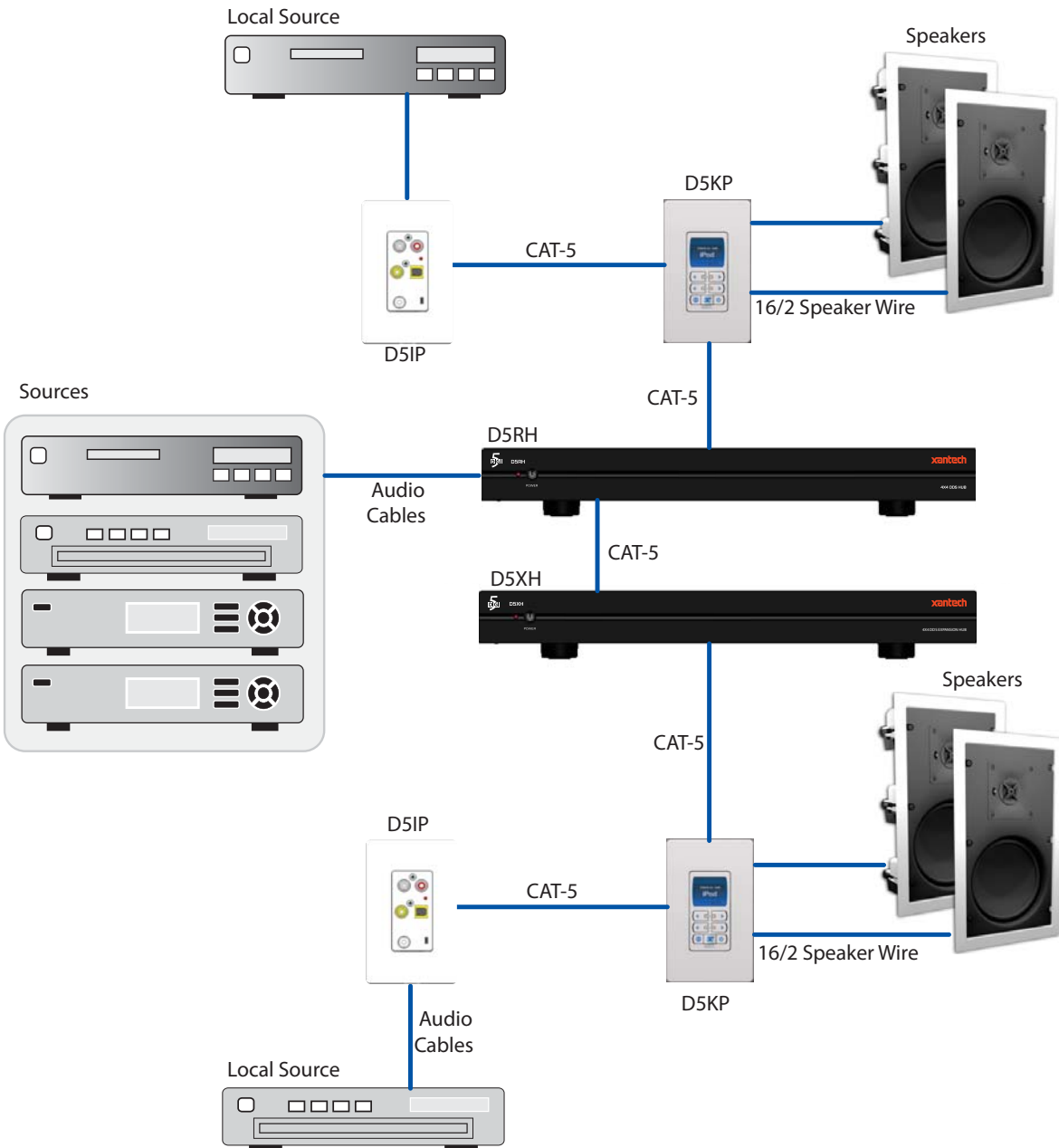


Figure 2.1: System Wiring Overview

Pre-Construction

In a pre-construction installation, walls and ceilings are open with no drywall installed. This is desirable and allows the installer greater access than in retro-fit applications. Before actually running any wire or cable, take the time to look around each room or area of the house and plan your wire paths for maximum efficiency. Look for routes through uncluttered parts of the stud wall or ceiling that allow you to group all low-voltage (video, speaker wires, CAT-5, telephone, etc.) wires wherever possible. It is a good practice to label both ends of all cables and to protect wires by tying a plastic bag over the ends.

Note: Do not run low-voltage wires closer than 12" from high-voltage wires. If necessary, cross low-voltage wires at a 90° angle to prevent interference.

Retro-Fit Wiring/ Post Construction

Retro-fit installations are more difficult to complete than pre-construction because walls and ceilings are intact. Typically wires must be fished into position through walls, floors and ceilings. Holes must be cut; speakers mounted directly in the ceiling or walls with no rough-in brackets and keypads and local source wall plates must be mounted in existing drywall.

Pre-Wiring

D5RH Digital Audio Distribution Hub to D5KP Amplifier Keypad

The D5RH and all associated components are wired using CAT-5 terminated to the T-568A Wiring Standard (Figure 2.2). When pre-wiring, run lengths of CAT-5 from the pre-determined equipment location (the “head-end”) to each Amplifier Keypad location. The CAT-5 routes all audio, power, IR and status information needed for full system operation.

Note: For maximum performance over long runs (more than 150 ft) run an additional 16AWG 2-conductor wire for external power.

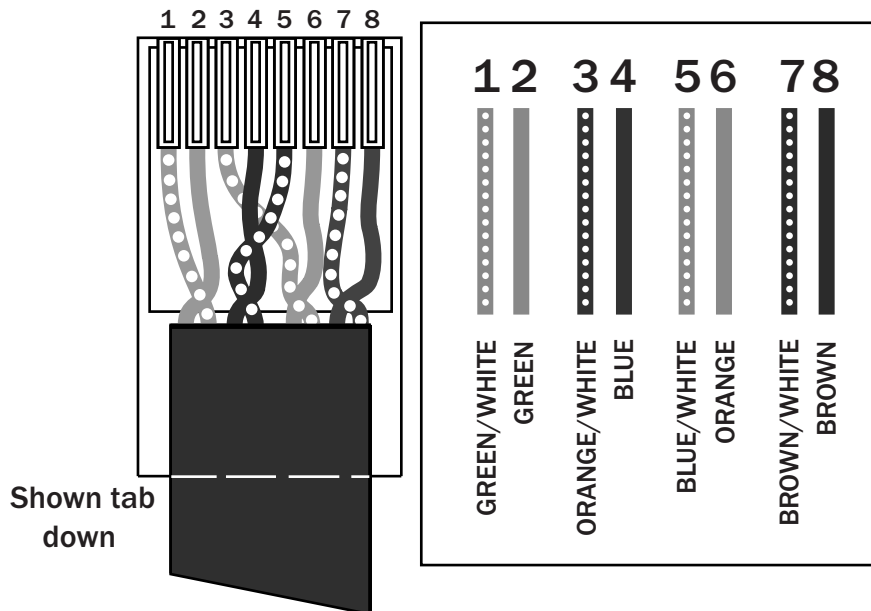


Figure 2.2: T-568A Wiring Standard

Amplifier Keypad to Speakers

Run 16AWG 2-conductor stranded copper speaker wire between Amplifier Keypad locations and speaker locations.

Local Sources to Amplifier Keypad

Local sources are only available within the area that they are installed. They will not be available to other areas of the house as they are not distributed by the D5RH. Run lengths of CAT-5 from any local (in-room) source to the Amplifier Keypad located in that area.

Applications

There are three typical system applications when installing the D5RH. These options can be combined throughout a system depending on the design of the system:

- 1 Basic 4 Source, 4 Zone System
- 2 Basic 4 Source, 4 Zone System - Local Sources connected using D5IP Source Input Wall Plates
- 3 Expanded 4 Source, 8-28 Zone System - Local Sources connected using D5IP Source Input Wall Plates

Basic 4 Zone, 4 Source System

Figure 2.3 shows a basic D5RH system with four sources and four zones. The system is comprised of a D5RH Digital Audio Distribution Hub, D5KP Amplified Keypad and Xantech XTC Speakers. This configuration provides audio from each source into each zone as well as control of each source from each zone.

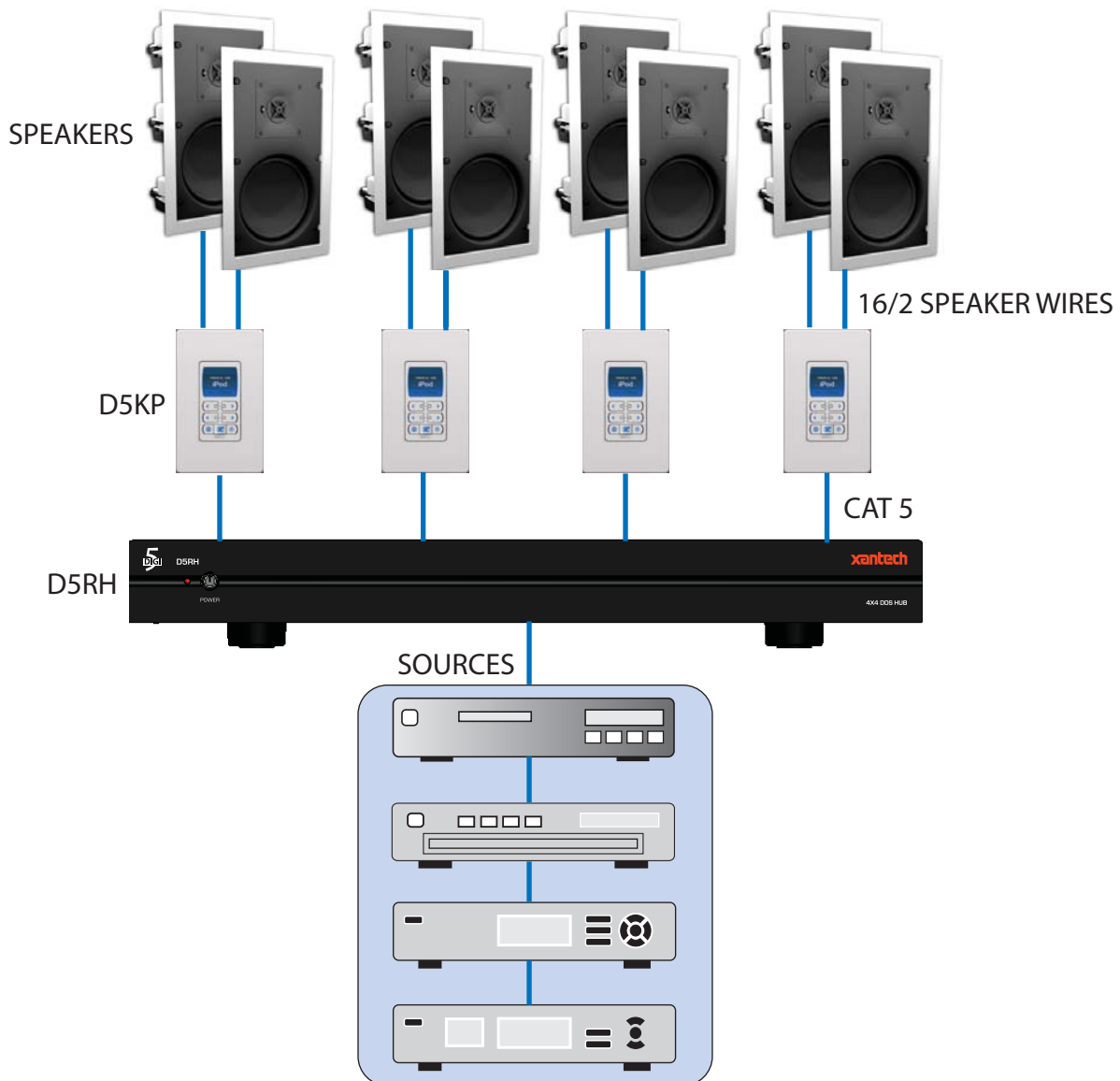


Figure 2.3: Basic System – 4 Sources/4 Zones

Basic 4 Zone, 4 Source System w/ Local Sources

Local Sources Connected Using DHIP Local Source Wall Plates

Figure 2.4 shows a basic D5RH system with four sources and four zones with the addition of Local Sources in two of the zones. Each zone can have one local source. The system is comprised of a D5RH Digital Audio Distribution Hub, D5KP Amplified Keypad, D5IP Source Input Wall Plates and Xantech XTC Speakers. This configuration provides audio from each source into each zone as well as control of each source from each zone. Zones with Local Sources have access to and control of those sources, but the Local Sources are not available to other zones within the system.

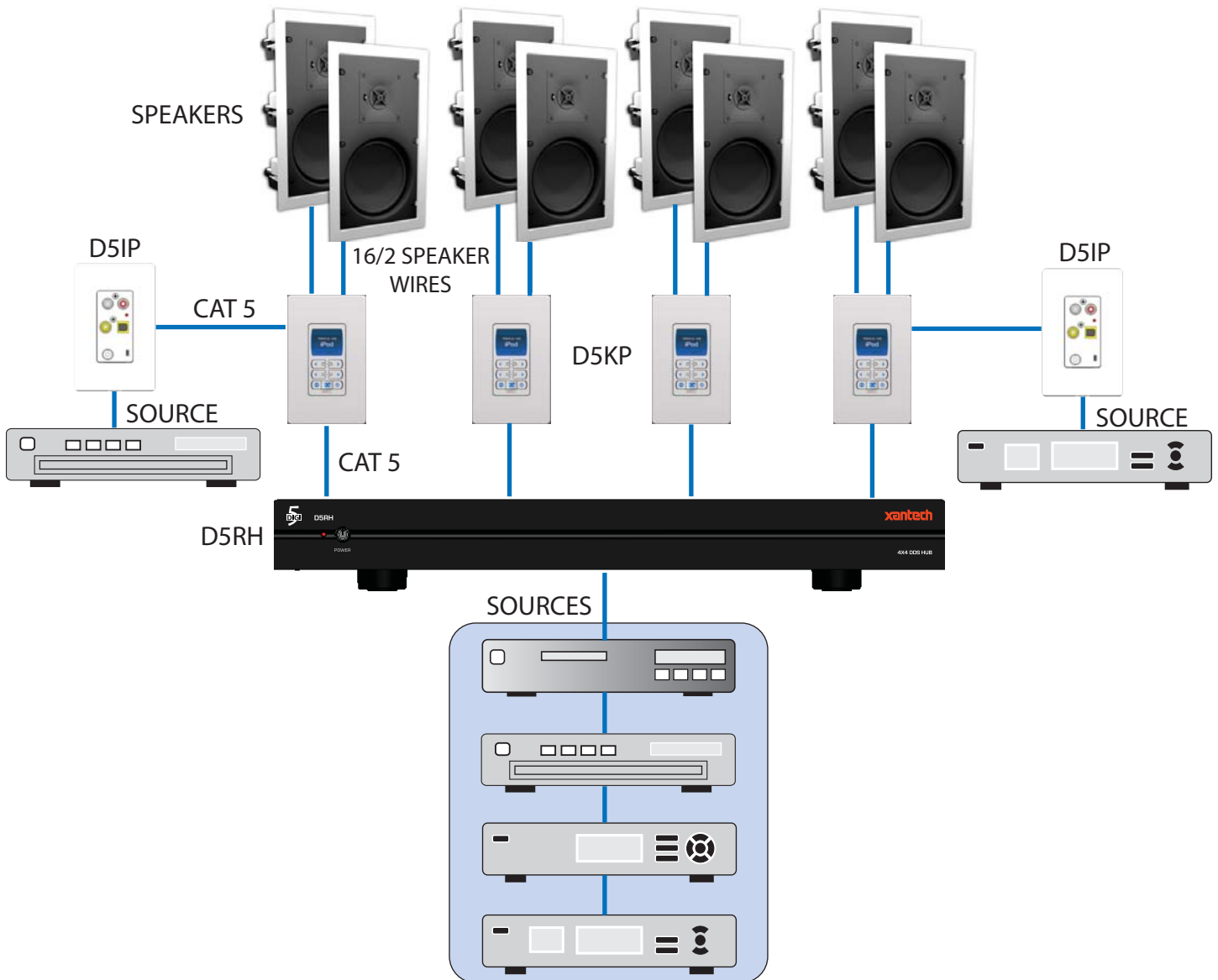


Figure 2.4: Basic System w/ Local Sources – 4 Sources / 4 Zones + Local Sources

Expanded 4 Source, 8-28 Zone System

D5XH Expansion Router

Figure 2.5 shows an expanded system with four sources and ten zones with the addition of Local Sources in four of the zones. Each zone can have one local source. The system is comprised of a D5RH Digital Audio Distribution Hub, D5XH Expansion Hub, D5KP Amplified Keypad, D5IP Local Source Wall Plates and Xantech XTC Speakers. This configuration provides audio from each source into each zone as well as control of each source from each zone. Zones with Local Sources have access to and control of those sources, but the Local Sources are not available to other zones within the system. This system can be expanded up to 28 zones using additional D5XHs.

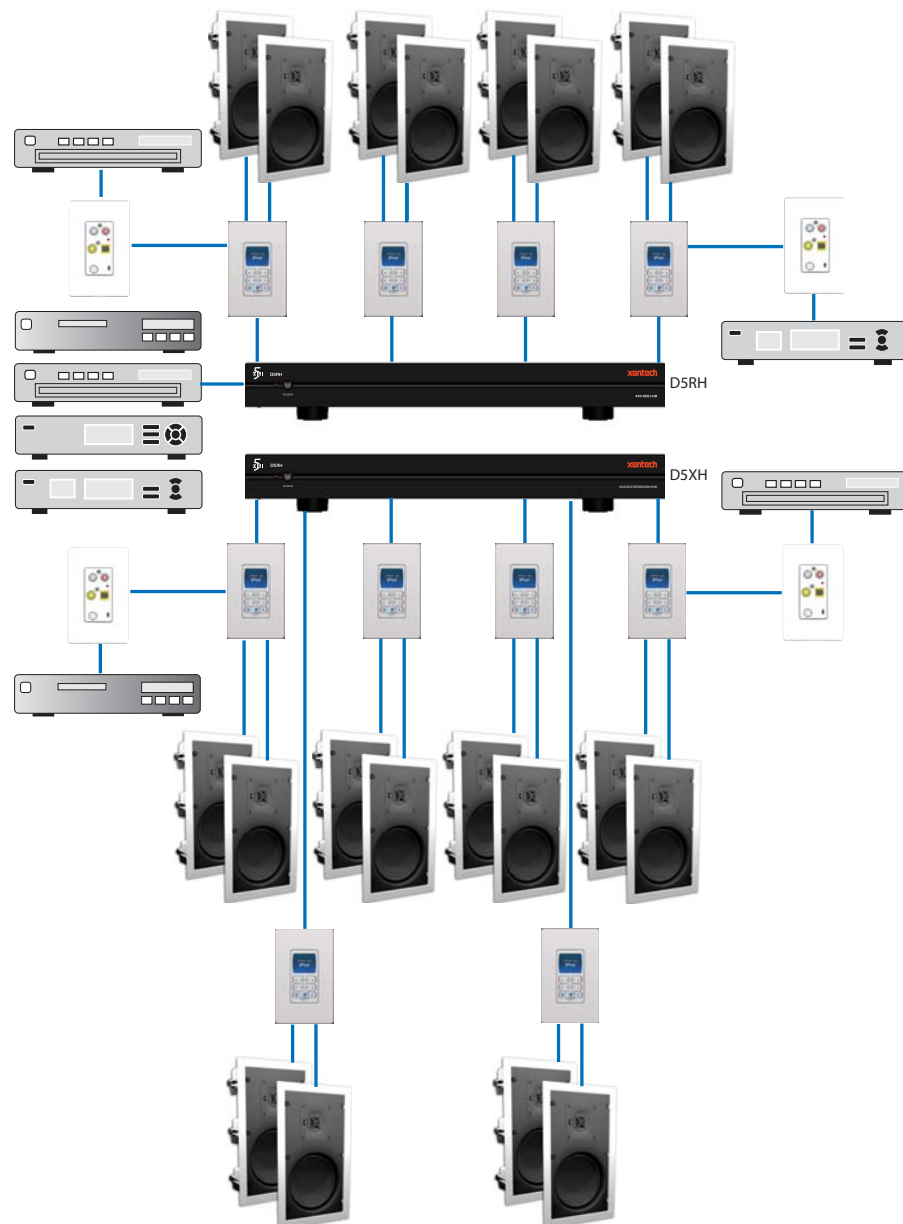


Figure 2.5: Expanded System – 4 Sources / 10 Zones + Local Sources

3. Connections

The D5RH is part of an integrated system that requires the use of other components. Depending on the system design, these components may include:

- D5KP Amplified Keypad - at least one per zone required
- D5IP Source Input Wall Plates - one per zone where a Local Source is desired
- D5XH Expansion Hub - for systems containing from 5 to 28 zones (each D5XH add up to six zones)
- Xantech Outdoor, Ceiling and In-Wall Speakers
- Xantech IR Emitters and accessories

This section describes the connectivity between these various components and the source audio components that comprise the system. Each D5RH system is unique and not all connections will be made in every installation.

Important Safety Note: Make sure that the D5RH is powered OFF before making any connections.

Source Audio Inputs

The D5RH supports a total of four System Sources which are available to each of four zones and can be sent to up to a total of twenty-eight zones using D5XH Expansion Hubs. There are two types of Source Inputs. Source 1 and 2 both have Digital Coaxial and Digital Optical connections. Source 3 and 4 both have three types of connectors: Analog (RCA), Digital Coaxial, and Digital Optical. For each audio source that is connected, use only one of these connection options.

4 Analog

Use stereo RCA-type audio patch cables to connect an audio source to the D5RH's Source Input 3 or 4 as shown in Figure 3.1. Use this method for sources that do not have Digital Audio Outputs. **NOTE: Make sure to put the COAX/OPT/RCA switch in the RCA (down) position.**

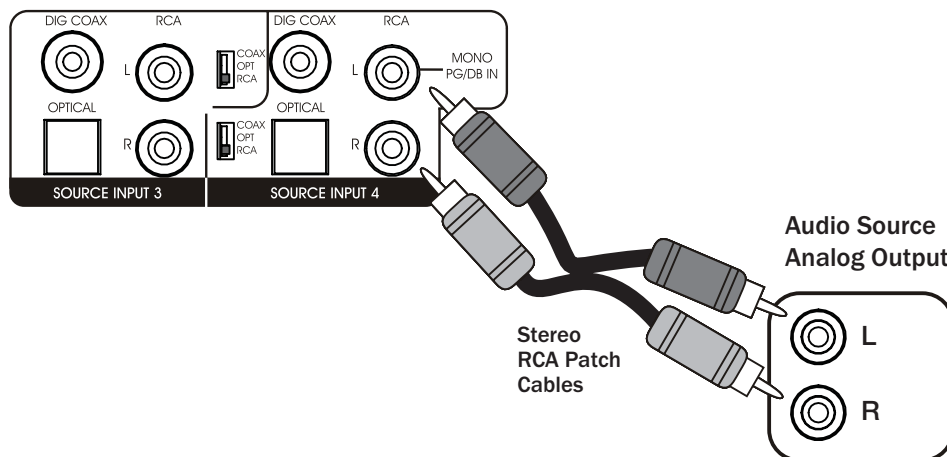


Figure 3.1: Source Input - Analog

1

Digital Coaxial (DIG COAX)

Use a Digital Coaxial cable to connect an audio source with a Digital Coaxial output to the D5RH's Source Input as shown in Figure 3.2. **NOTE: Make sure to put the COAX/OPT switch in the COAX (up) position.** Digital Connections provide the best audio quality and should be used if available. If both a Digital Coaxial connection and a Digital Optical connection are present on the audio source, use only one. **DO NOT connect both Coaxial and Optical outputs to the D5RH.**

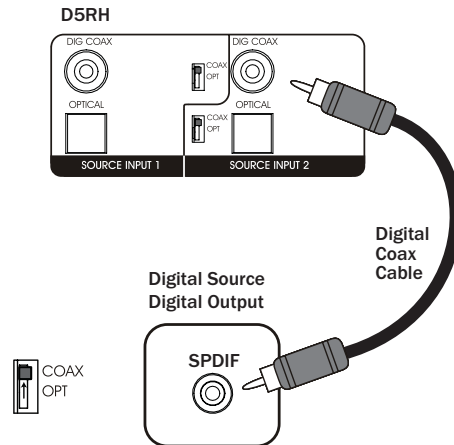


Figure 3.2: Source Input – Digital Coaxial

2

Digital Optical (OPTICAL)

Use a Digital Optical (TOSLINK) cable to connect an audio source with a Digital Optical output to the D5RH's Source Input as shown in Figure 3.3. **NOTE: Make sure to put the COAX/OPT switch in the OPT (down) position.** Digital Connections provide the best audio quality and should be used if available. If both a Digital Coaxial connection and a Digital Optical connection are present on the audio source, use only one. **DO NOT connect both coaxial and optical outputs to the D5RH.**

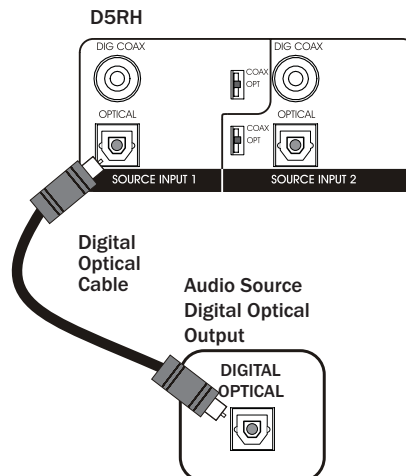


Figure 3.3: Source Input – Digital Optical

NOTE: Multi-channel digital audio formats (5.1, 7.1 etc.) are not supported by the D5IP and D5RH. However, many audio/video sources allow you to change the digital output to PCM Stereo. In most cases this will allow multi-channel audio sources to output a "summed" stereo signal through the digital output. Consult the audio/video source manual for details.

NOTE: Some audio sources which utilize a digital output require that you enable the digital output before it will function. If there is no audio present, check the setup menu of the audio source to confirm that the digital output is enabled.

6

Source Loop Outputs (SOURCE LOOP OUT)

The Source Loop Outputs are used only when adding D5XH Expansion Hubs to the D5RH in order to create more than four zones. These connectors carry Audio, Status and IR information between the units and allow seamless functionality in all areas of the home with no complicated cross-wiring, splicing or specialized adapters needed. When adding a D5XH Router, simply connect CAT-5 Patch Cables from the 'SOURCE LOOP OUT' of the D5RH to the 'SOURCE LOOP IN' of the D5XH as shown in Figure 3.4. Complete connections for expanded systems are described in the section entitled Multi-Chassis Connections.

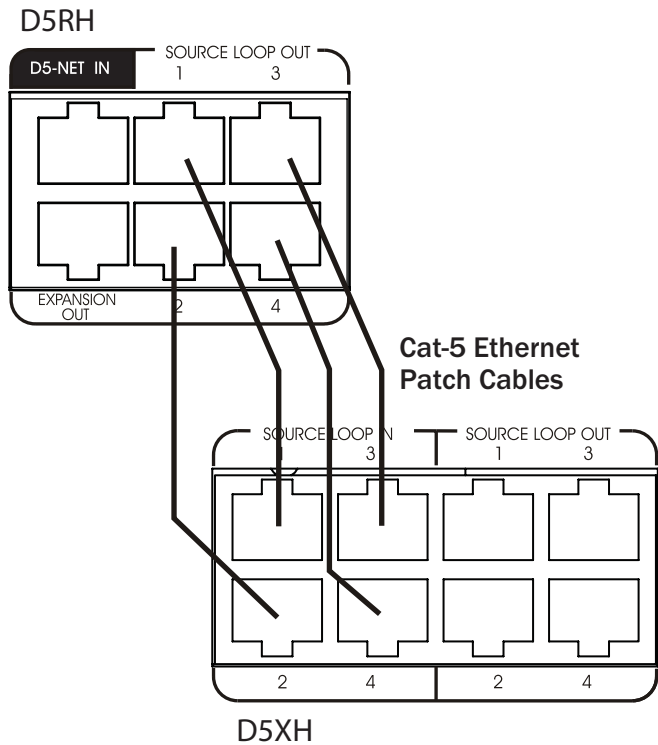


Figure 3.4: Source Loop Outputs

7 D5-NET

This connector is reserved for future implementation of two-way data sources and communication.

5 EXPANSION OUT

Connect the CAT-5 Patch Cable from the D5RH 'EXPANSION OUT' port to the D5XH 'EXPANSION IN' port as shown. Complete connections for expanded systems are described in the section entitled Multi-Chassis Connections.

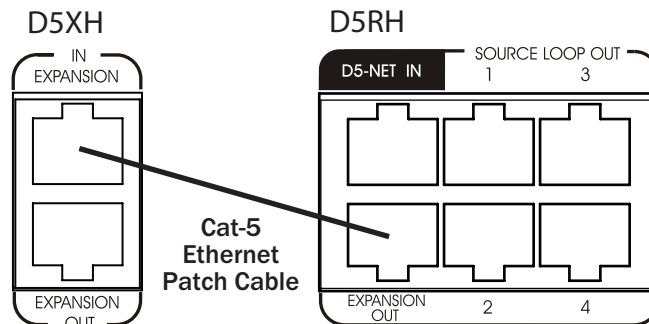


Figure 3.5: Expansion Outputs

8

IR OUT/ALL IR OUT

Xantech D5KP Amplified Keypad feature a built-in IR Receiver that is used to control the sources connected to the D5RH using hand-held remotes. The four IR ports labeled 1-4 are Source-Specific. When a particular source is selected in a zone, the corresponding IR port is active and only the selected source receives IR. This allows for same-branded or identical source components to be controlled discreetly from one location without conflict. The ALL IR PORT is constantly active and passes IR information regardless of the source selected. This is useful for sources that may need control no matter which source is active, such as an A/V Receiver, or for applications utilizing an expanded IR network including IR Distribution devices such as Xantech's 791-44 Amplified IR Connection Block.

To make IR connections, simply plug a standard 3.5mm IR emitter such as Xantech's 283D IR Emitter into the desired port. If the source that is to be connected has an IR Input port, a 3.5mm ("mini-to-mini") interconnect cable can be used instead. See Figure 3.6 for details.

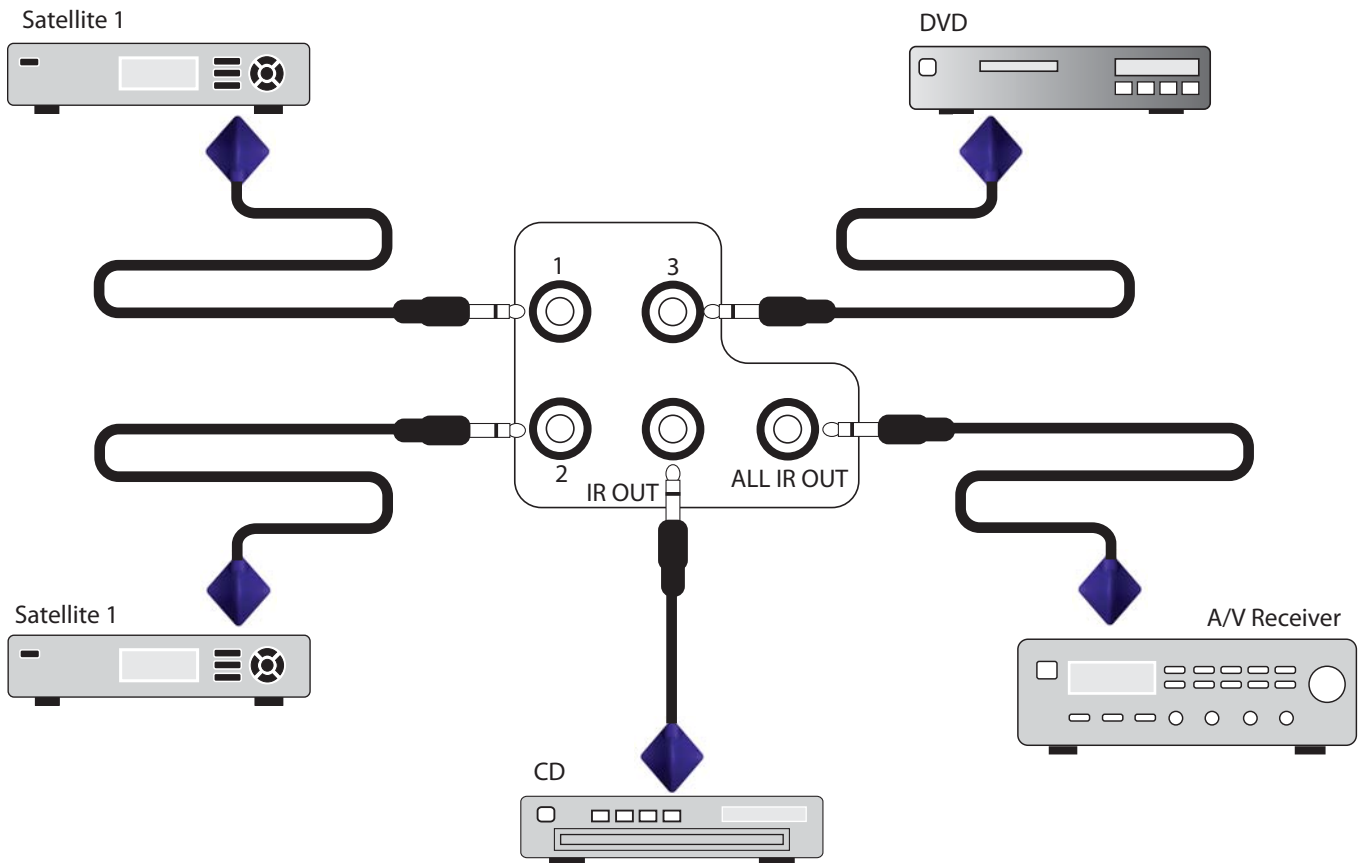


Figure 3.6: IR Outputs

16 ZONE OUT

The 'ZONE OUT' RJ-45 connector's interface with D5KP Amplified Keypad through CAT-5 cables wired to the T-568A Standard. These connectors carry IR information from the keypad as well as audio information to the D5KP Amplifier Keypad. Status information is also carried between the D5RH chassis and the Amplifier Keypads. While a great deal of information is handled by the 'ZONE OUT' connections, the connections are straightforward. Simply connect CAT-5 cables terminated to the T-568A configuration (Figure 2.2) from each Amplifier Keypad to the corresponding 'ZONE OUT' connector on the D5RH hub as shown in Figure 3.7.

Note: For wire runs up to 150', the CAT-5 connections are all that is necessary. For wire runs over 150', use the AUX POWER OUT connectors as described in the section entitled Auxiliary Power Connector (AUX POWER OUT).

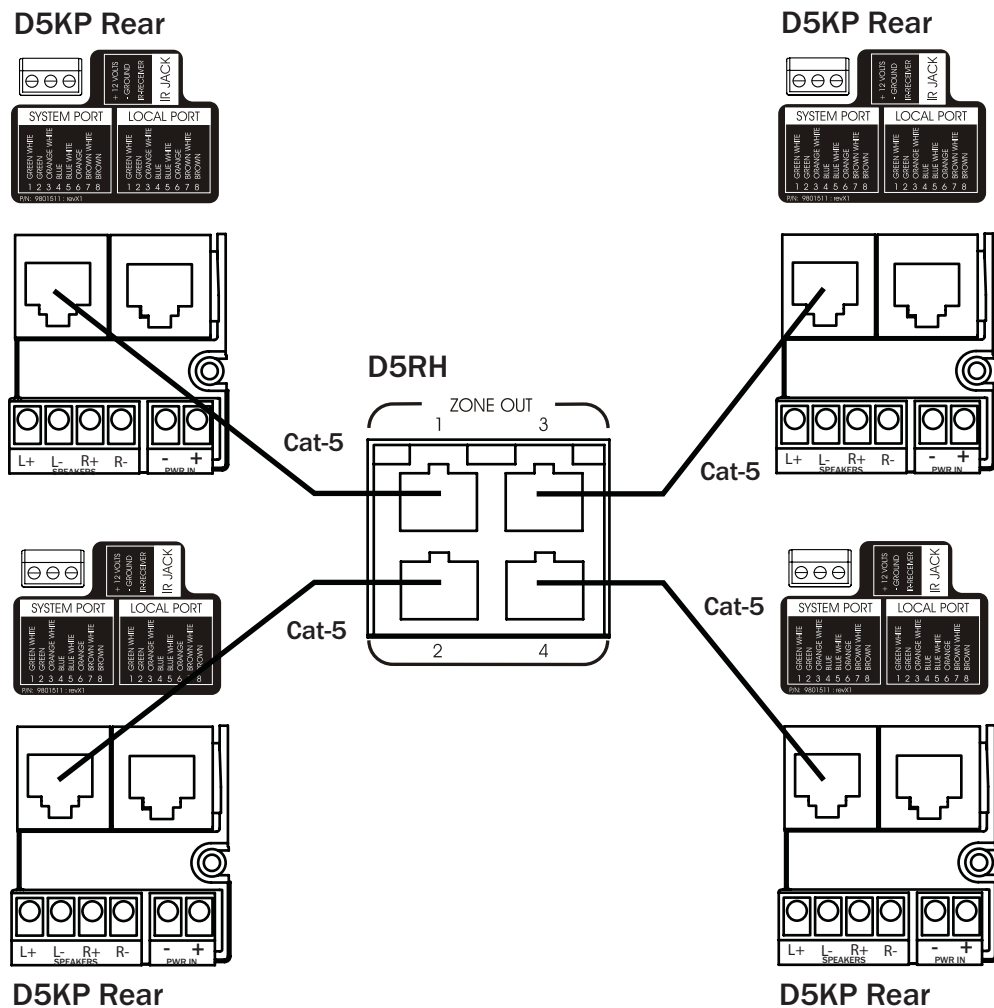


Figure 3.7: ZONE OUT Connections

D5KP Speaker Connections

The D5RH routes digital audio to connected D5KP Amplifier Keypad where the audio is then amplified and sent to in-room speakers.

WARNING! The D5KP's amplifier is capable of powering a single pair of 8-6 Ohm speakers. DO NOT connect speakers with a rating of less than 6 Ohms! DO NOT connect more than one speaker to either speaker connector of the D5KP. In doing this, damage to the D5KP may occur and will void the products warranty.

To connect speakers to D5KP Amplifier Keypad:

- 1 Ensure that system power is OFF!
- 2 Remove the SPEAKER CONNECTOR from the D5KP Amplifier Keypad
- 3 Strip speaker wire back 1/4"
- 4 Loosen speaker terminal screws on the speaker connectors
- 5 Insert speaker wires into terminals making sure to maintain +/- polarity
- 6 Tighten screws on speaker terminals
- 7 Re-connect the terminal strip to the SPEAKER CONNECTOR on the D5KP Amplifier Keypad
- 8 Connect speaker wires to the room speakers maintaining correct polarity

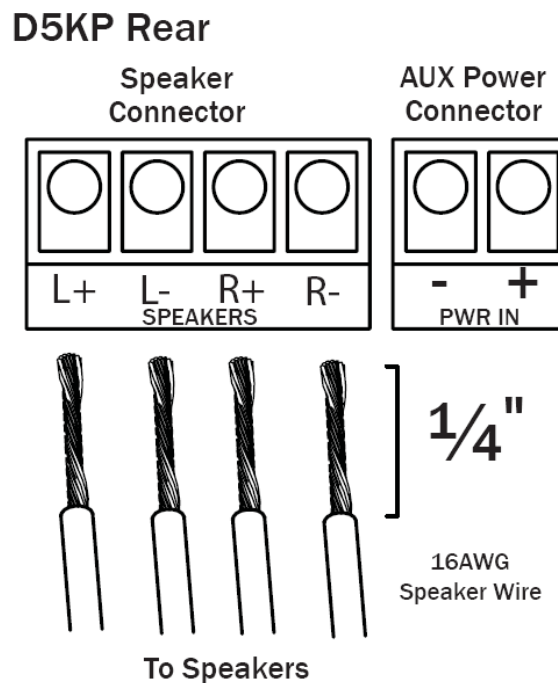


Figure 3.8: Speaker Connections

15

Auxiliary Power Connector (AUX POWER OUT)

For wire runs over 150', it is recommended to run an additional 16 AWG/2-conductor wire from the head-end location to the Amplified Keypad locations. This will allow the AUX POWER OUT terminals to supply additional power to the Amplifier Keypads to compensate for the additional distance. For wire runs over 300', 16 AWG/2-conductor wire is required to operate the keypad. The maximum wire run using CAT-5 and 16 AWG/2-conductor is 600'. Make all connections between the D5RH and the D5KP Amplifier Keypad as previously described, then make the aux power connections described below.

To make connections:

- 1 Ensure that system power is OFF!
- 2 Strip the ends of the 16 AWG wire 1/4" on both ends of the wire run.
- 3 Remove the terminal strip from the AUX POWER OUT connector on the D5RH.
- 4 Loosen the screws for the appropriate zone's terminal pairs on the terminal strip.
- 5 Insert the wires into the terminal strip, paying close attention to polarity (+/-).
- 6 Tighten the screws on the terminal strip.
- 7 Remove the terminal strip from the PWR IN connector of the D5KP.
- 8 Loosen the screws on the D5KP's PWR IN terminal.
- 9 Insert the wires into the terminal, paying close attention to polarity (+/-).
- 10 Tighten the screws on the D5KP's PWR IN terminal.
- 11 Connect the terminal strip back onto the AUX POWER OUT connector on the D5RH.

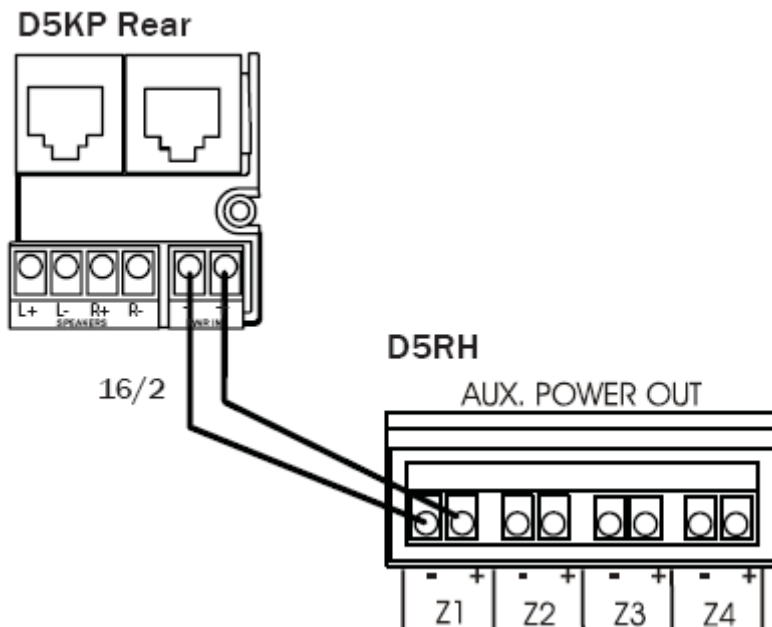


Figure 3.9: AUX POWER OUT Connections

12**USB Port (USB IN)**

The USB IN port is designed to allow upgrades to the D5RH's firmware.

17**AC Power Connector**

Connect the supplied cord from the AC Power Connector into a properly grounded electrical outlet.

18**RS232 Port**

Connect RS232 port to an external controller.

System Expansion

The D5RH is capable of supporting up to four sources to up to four zones. The system may be expanded in two ways:

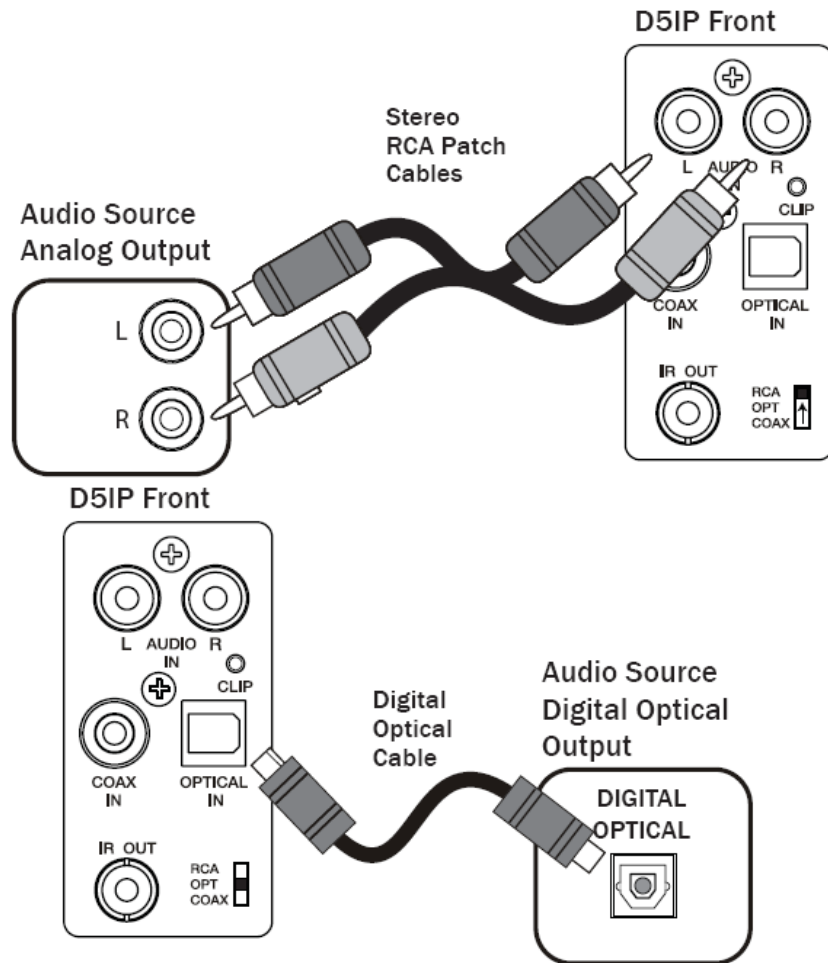
- Local Sources
- Adding Zones

Local Sources

Each zone of a D5RH-based system can have its own "Local" source connected directly to the zone's D5KP Amplified Keypad using a D5IP Source Input Wall Plate. A source connected to a D5KP is accessible from the zone in which it is connected. It is NOT AVAILABLE to the other zones of the system. Both audio and IR control capabilities are available to Local Sources through the D5KP. A zone may have a maximum of one Local Source.

D5IP Source Input Wall Plate

A D5IP Source Input Wall Plate is required to add a Local Source to a zone. The wall plate has audio and IR connections similar to the SOURCE INPUT of the D5RH. A run of CAT-5 terminated to T-568A standard (see Figure 2.2) is required between the D5KP Amplified Keypad and the location designated for the D5IP. Connections between a source component and the D5IP are detailed in Figure 3.10 to Figure 3.12, while connections between the D5IP and the D5KP Amplified Keypad are detailed in Figure 3.15. **NOTE: Set RCA/OPT/COAX switch to RCA (up) position.**



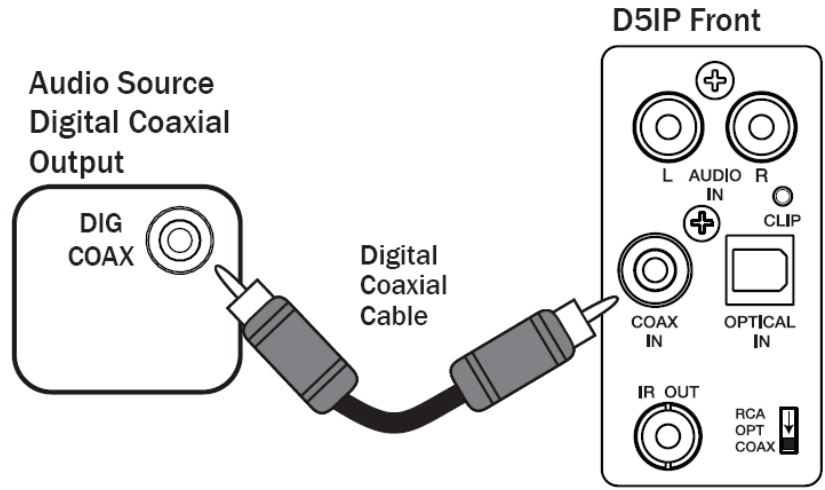


Figure 3.10 to Figure 3.12: Local Source to D5IP Connections

NOTE: Multi-channel digital audio formats (5.1, 7.1 etc.) are not supported by the D5IP and D5RH. However, many audio/video sources allow you to change the digital output to PCM Stereo. In most cases this will allow multi-channel audio sources to output a “summed” stereo signal through the digital output. Consult the audio/video source manual for details.

NOTE: Some audio sources which utilize a digital output require that you enable the digital output before it will function. If there is no audio present, check the setup menu of the audio source to confirm that the digital output is enabled.

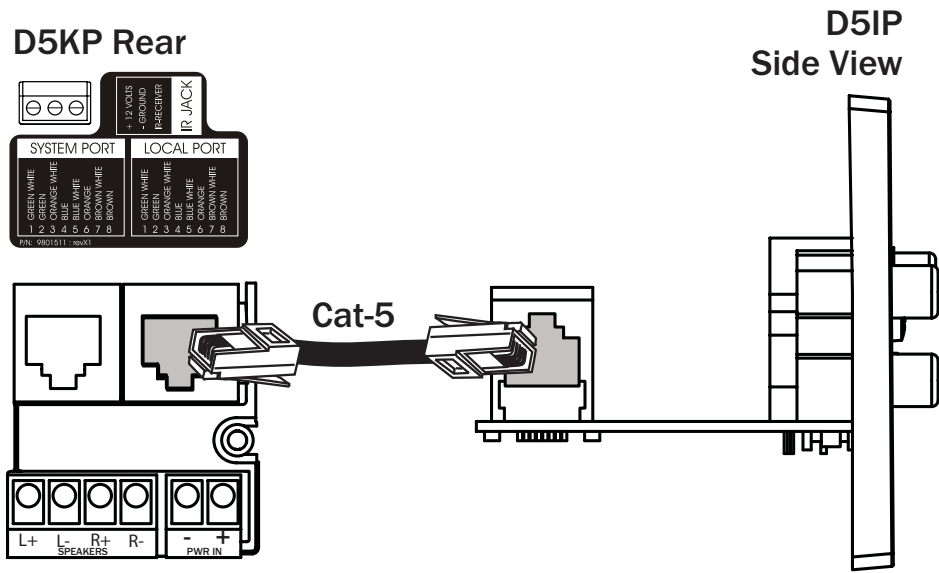


Figure 3.13: D5IP to D5KP Connections

IR OUT

Connect a standard IR Emitter (283D emitter, for example) from the IR OUT port on the front of the D5IP to the IR receiver on the front of the audio source (see Figure 3.14). For sources that have an IR Input port on the back of the unit, use a 3.5mm to 3.5mm mono interconnect cable instead (see Figure 3.14).

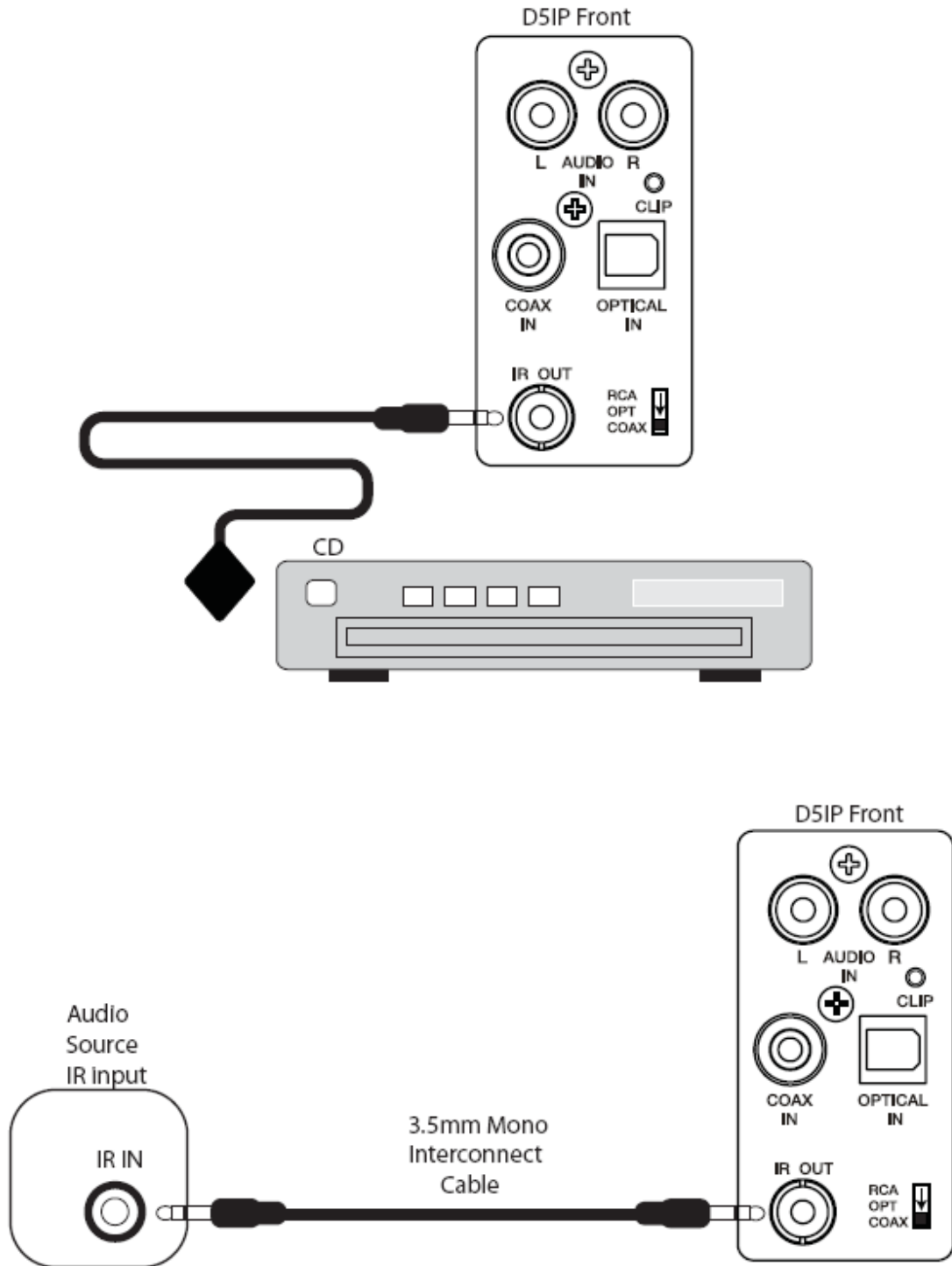
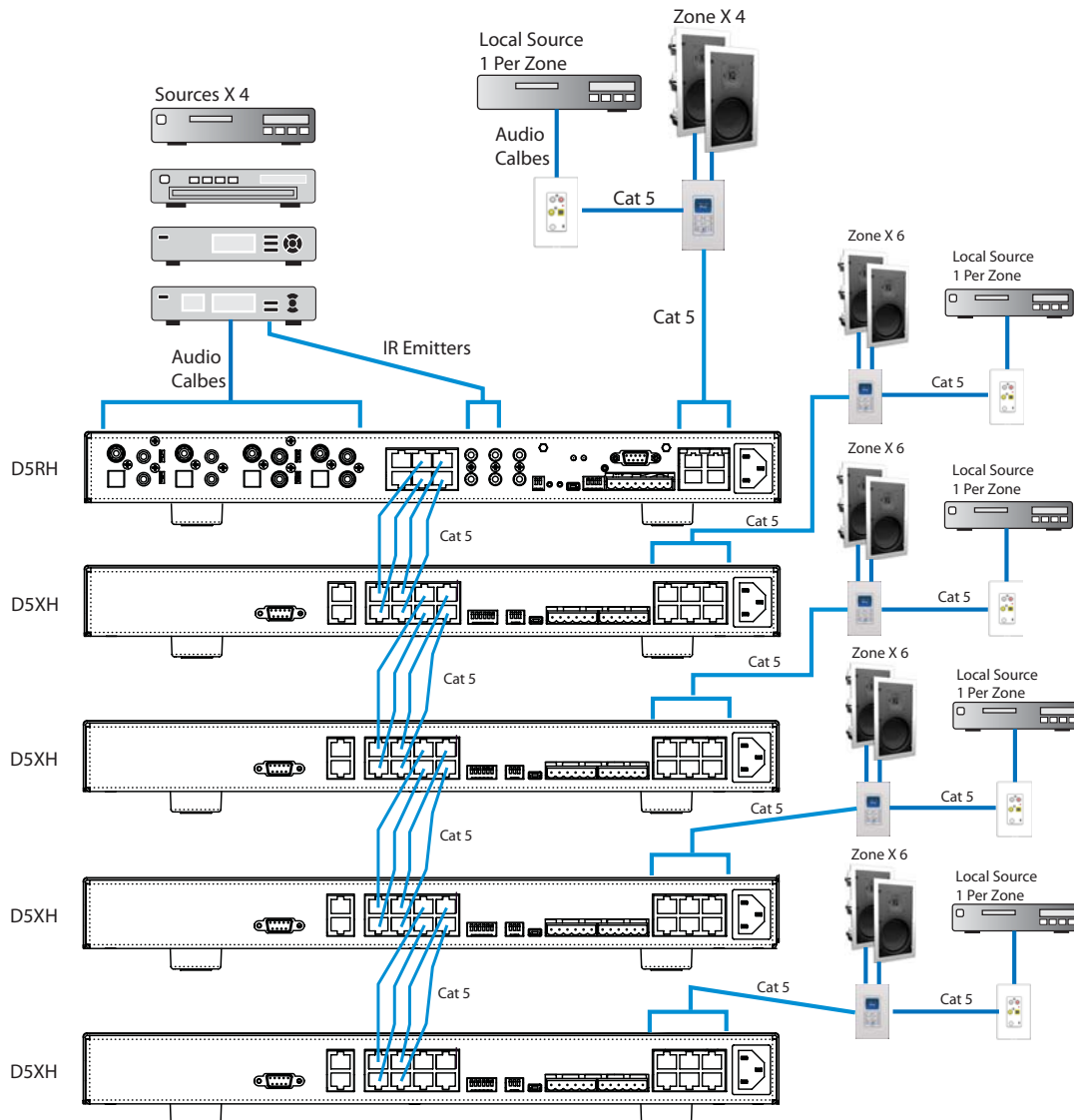


Figure 3.14: IR Out to Source Connections

Adding Zones – D5XH Digital Audio Distribution Hub

A basic D5RH system can contain a maximum of four sources and four zones. By adding D5XH Digital Audio Distribution Expansion Hub, the system can contain a maximum of twenty-eight zones. Each D5XH expands the system by up to six zones, while still maintaining a four source maximum limit. This section details the connections required for adding D5XH Digital Audio Distribution Expansion Hub to a D5RH. For detailed specifications, settings, etc., please consult the D5XH Installation Manual.

# of Chassis	Max # of Zones
(1) D5RH	4
(1) D5RH, (1) D5XH	10
(1) D5RH, (2) D5XH	16
(1) D5RH, (3) D5XH	22
(1) D5RH, (4) D5XH	28



Connections between a D5RH chassis and D5XH Digital Audio Distribution Hub involve CAT-5 patch cables routed between the units. All cables are included with the D5XH. Connections are required for:

- EXPANSION OUT/EXPANSION IN
- SOURCE LOOP OUT/SOURCE LOOP IN

EXPANSION OUT/EXPANSION IN

Simply connect a CAT-5 patch cable from the D5RH's EXPANSION OUT port to the first D5XH's EXPANSION IN port. For multiple D5XH units, connect a CAT-5 patch cable from the first D5XH's EXPANSION OUT port to the next D5XH's EXPANSION IN port, and so on. See Figure 3.15 for details.

SOURCE LOOP OUT/SOURCE LOOP IN

Connect a CAT-5 patch cable from each SOURCE LOOP OUT of the D5RH to each corresponding SOURCE LOOP IN on the first D5XH. For multiple D5XH units, connect a CAT-5 patch cable from each SOURCE LOOP OUT of the first D5XH to each corresponding SOURCE LOOP IN on the next D5XH and so on. See Figure 3.15 for details.

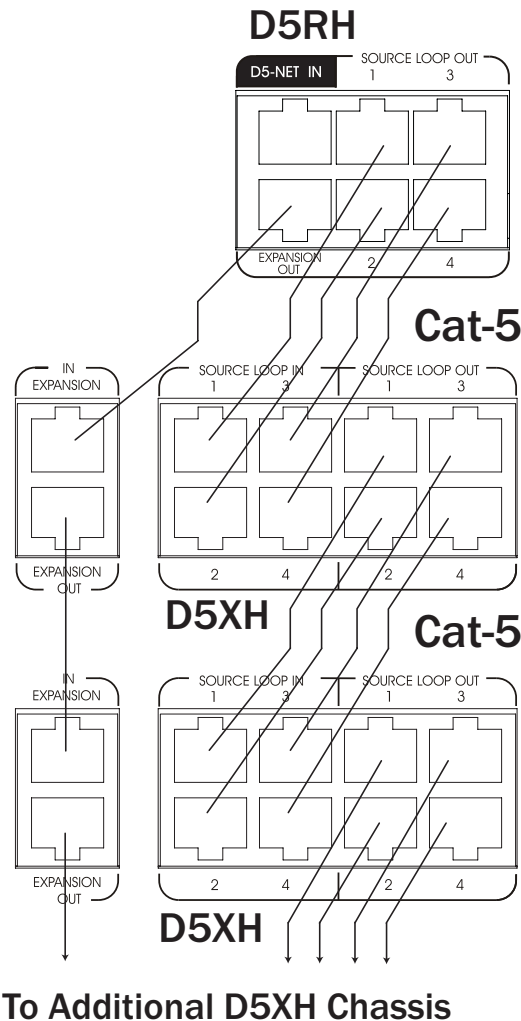


Figure 3.15: System Expansion Connections

4. Settings & Operation

DIP Switch Settings

There are two groups of DIP switches on the rear panel of the D5RH that must be set prior to operation:

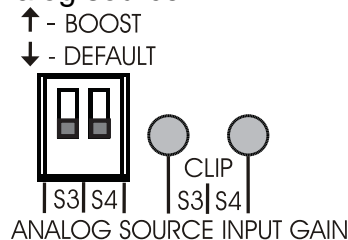
- SOURCE INPUT GAIN
- KEYPAD PAIRING

ANALOG SOURCE INPUT GAIN

Analog Audio SOURCE 3 and 4 have a corresponding DIP switch to adjust the input level relative to the other sources. Once all connections are made, the Analog Audio Source should be adjusted for clipping (distortion) before the installation is completed.

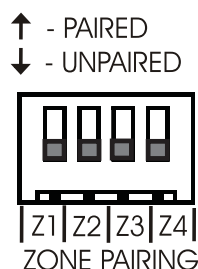
To adjust ANALOG SOURCE INPUT GAIN DIP switches:

- 1 Ensure that the Analog Audio Source is connected properly to SOURCE 3 or 4.
- 2 Power up each source and turn on an audible signal (Press PLAY, tune to a station, etc.).
- 3 Select the Source (3 or 4) from the zone's D5KP Amplifier Keypad.
- 4 Adjust the zone's volume to a normal, comfortable listening level.
- 5 Select SOURCE 1 and then SOURCE 2 and compare the levels to SOURCE 3 and/or SOURCE 4.
- 6 If the analog source(s) are playing at a softer volume than the other sources, position the DIP switch for that source to the BOOST (UP) position.
- 7 Observe the CLIP LED on the front of the D5RH. If it lights up constantly or consistently, the source's output level is too high and needs to be adjusted. In this case, position the appropriate DIP switch to the DEFAULT (DOWN) position.
- 8 Repeat this process for the other analog source.



ZONE PAIRING

The ZONE PAIRING DIP switches allow each of the zones to be paired or grouped with any other zone. Any zone that is in the UP position will be paired with any other zone that is also placed in the UP position. This feature is useful to create large “party” zones where combined areas of the house share audio and system control.



5. Troubleshooting

Table 5-1 provides troubleshooting information for the D5RH Digital Audio Distribution Hub.

Audio

Symptom	Possible Cause	Solution
No audio present in a specific zone	1. Source not playing	Press Play, turn ON, etc.
	2. Zone not ON	Press "Power" on the D5KP
	3. Zone volume turned all the way down	Increase volume
	4. Speakers in room miswired or defective, or D5KP miswired	a. Test known good speaker at D5KP speaker connector b. Verify connections
No audio from specific source	Digital audio output not enabled	Check setup menu and confirm digital audio output is enabled
	Multi-channel digital audio formats (5.1, 7.1 etc.) are not supported by the D5IP, D5RH, etc.	Change digital Output to PCM Stereo
	Incorrect audio format selection.	Check RCA/OPT/COAX selection switch for proper selection.
No audio present in any zone	1. See above	Perform steps above
	2. Digital source is outputting multi-channel audio format (5.1, 7.1, etc.)	Select PCM Stereo output on source component. Consult source's manual for details.
	3. Digital output not enabled on source	Enable digital output through source's menu. Set to PCM stereo. Consult source's manual for details.
Hum or buzz through system speakers	1. Ground loop	Ensure proper grounding using a three prong grounded AC outlet.
	2. Receiver/Amplifier level too high	Reduce level
Poor Audio quality	1. Clipping or distortion	Adjust GAIN settings
	2. Speaker out of phase	Carefully check polarity of each speaker
	3. Incorrect assignment of left/right source RCA cables or speaker cables	Isolate to source or room and correct

Appendix A: Specifications

Power Input	120 VAC / 3 Amps (Export 240VAC models also available)
Sampling Frequency	48kHz
Digital Audio Resolution	24 Bit
Signal to Noise Ratio	94dB
Input GAIN Switches (Input Sensitivity)	
DIP Switch 3 & 4 UP	1.35Vrms / 4.8dBu
DIP Switch 3 & 4 DOWN	2V rms / 8.2dBu
Frequency Response	20Hz-20kHz +/- 0.1dB

Dimensions	
H x W x D (w/ feet)	2 3/8" x 17" x 14 1/8" (8.6cm x 43.2cm x 35.9cm)
H x W x D (w/o feet)	1 3/4" x 17" x 14 1/8" (4.4cm x 43.2cm x 35.9cm)
Weight	19lbs (8.6kg) Unit Weight 21lbs (9.5kg) Shipping Weight

Xantech Limited Warranty

(Effective for products sold after July 1, 2006)

Xantech Corporation ("Xantech") warrants to the holder of a valid proof of purchase as the first end-user purchaser ("You"), its products to be free from defects in materials and workmanship for the periods specified below from the date of purchase. This limited warranty extends only to You for product purchased and used in the United States of America. For product purchased outside of the United States of America, You must contact the Xantech authorized distributor in your region for warranty services. Product is not intended for end user installation. If within the applicable warranty period above You discover such item was not as warranted above and You promptly notify Xantech in writing, Xantech shall repair or replace the items at its option. Xantech may elect which remedy or combination of remedies to provide in its sole discretion. Xantech may use functionally equivalent reconditioned/refurbished/pre-owned or new products or parts under this limited warranty. This warranty shall not apply (a) to product which shall have been installed by other than an authorized Xantech installer, (b) to installed product which is not installed to Xantech's specifications, (c) to product which shall have been repaired or altered by others than Xantech, (d) to charges for installation or set up or adjustment of customer controls, (e) to product that has suffered normal cosmetic deterioration (f) to product which shall have been subjected to negligence, misuse, abuse, accident, or damage by circumstances beyond Xantech's control, including, but not limited to, lightning, flood, electrical surge, tornado, earthquake, or any other catastrophic events beyond Xantech's control, or (g) to product which shall have been subjected to improper operation, connected equipment failure or malfunction, inadequate packing or shipping damage, maintenance or storage, or to other than normal use of service. The foregoing warranties do not cover reimbursement for labor, transportation, shipping, removal, installation, or other expenses which may be incurred in connection with repair or replacement. All claims for product shipping damage must be processed within 3 days of receipt by You.

A Xantech Return Authorization (RA) must be obtained from Xantech by You, your installer or your distributor for Product covered under this warranty. Covered product must be sent to Xantech together with proof of purchase, RA number, prepaid and insured to Xantech. Freight collect shipments will be refused. Risk of loss or damage in transit is borne by the sender. Xantech's warranty does not cover Products which have been received improperly packaged, altered, or physically damaged. Products will be inspected upon receipt.

Except as may be expressly provided and authorized in writing by Xantech, Xantech shall not be subject to any other obligations or liabilities whatsoever with respect to equipment manufactured or sold by Xantech or services rendered by Xantech.

THE FOREGOING WARRANTIES ARE EXCLUSIVE AND IN LIEU OF ALL OTHER EXPRESSED AND IMPLIED WARRANTIES, INCLUDING BUT NOT LIMITED TO IMPLIED WARRANTIES OF MERCHANTABILITY AND FITNESS FOR A PARTICULAR PURPOSE.

ATTENTION: TO OUR VALUED CONSUMERS

To insure that consumers obtain quality pre-sale and after-sale support and service, Xantech products are sold exclusively through authorized dealers and authorized distributors. The warranties on Xantech products are NOT VALID if the products have been purchased from an unauthorized dealer or distributor. In order to determine if your Xantech re-seller is authorized, please call Xantech (800) 843 - 5465.

XANTECH PRODUCT (go to Xantech.com/warranty for model numbers)	WARRANTY DURATION
IR Receivers and IR Emitters	Limited Lifetime
Remote Control Switchers	Limited Lifetime
Modules and Connecting Blocks	Limited Lifetime
Accessories	Limited Lifetime
Speakers	Limited Lifetime
Volume Controls and Speaker Selectors	5 year Limited
DIGI-5, MRC, BX, ZPR and Commercial Products	2 year Limited
Amplifiers	2 year Limited
Control Interfaces	2 year Limited
Hand Held Remote Controls	1 year Limited
SPLCD Product	1 year Limited
Source Components, XIS100	1 year Limited

Xantech Corporation

13100 Telfair Ave. 2F, Sylmar CA 91342 | Xantech.com

Installation Instructions, D5RH © 2008 Xantech Corporation

Document # 08905153B

This document is copyright protected. No part of this manual may be copied or reproduced in any form without prior written consent from Xantech Corporation. Xantech Corporation shall not be liable for operational, technical, or editorial errors/omissions made in this document.